

EX180 and EX180 light sono dei kit di perforazione da montare su escavatore estremamente leggeri e compatti . Disponibili in varie versioni per poter rispondere alle vostre esigenze.

EX180 and EX180 light are drilling kit design to be mounted on small size excavator where weight and dimension are important. We can supply many different versions to be able to answer at your need



EX cava Heavy duty with two hydraulic drifter



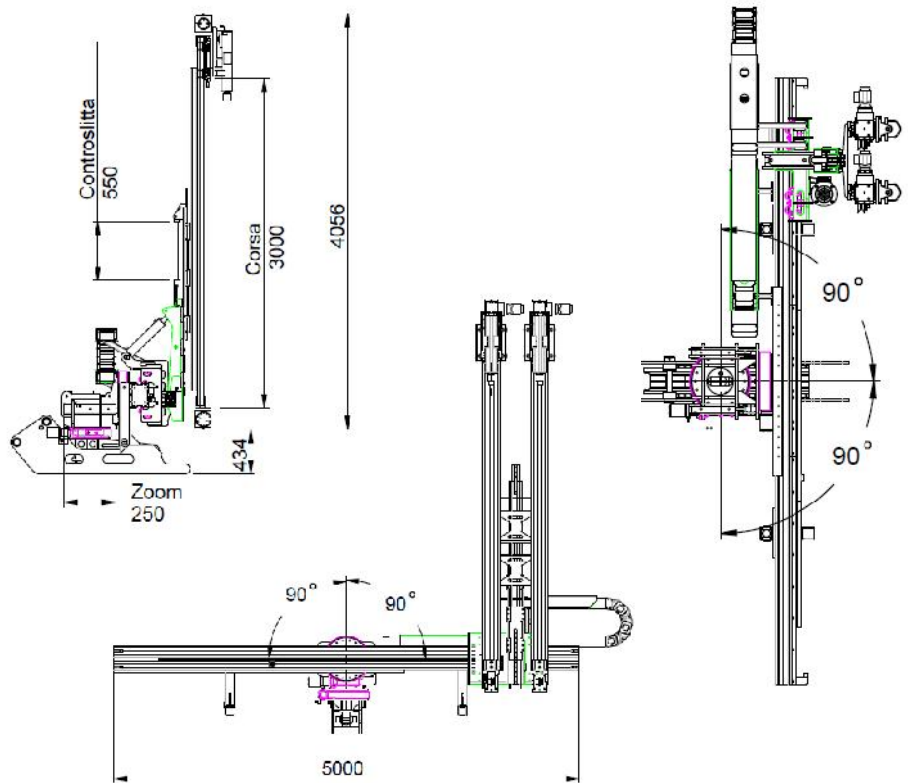
Dust collector



EX cava light version



EX CAVA HD with two mast



EX CAVA single mast

