



Excava are drilling kit design to be mounted on excavator in the range of 20-30 ton .
The boom reach make the dressing of the stone block easier . We can supply many different versions to be able to answer at your need.

Excava can be desing with single, double or even with 4 drifters depending on the type of excavator and the oil flow available.
The rail for the line drill can be different lenght from 3 to 5 mt.



Ripamonti Dr. Gianni S.r.l.

Strada Romana di Sotto, 27-28877 Ornavasso (VB) Italy

Tel. +39 0323838211

www.ripamonti.net

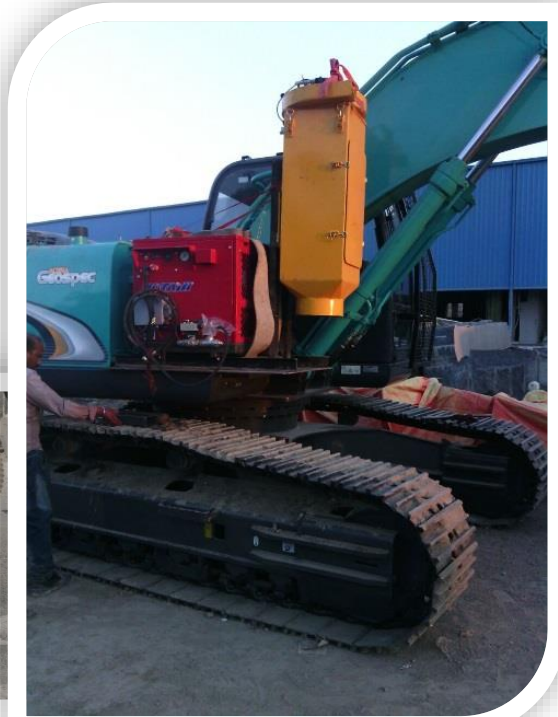
Fax +39 0323836147

info@ripamonti.net



- Our attachments mounted on Kobelco excavator, stone quarries in India.

- Air compressor and Dust collector Mounted on cabin side. Different size of compressor can be mounted depending on quantity of drifters



- Suction hood and hydraulic centralizer



Ripamonti Dr. Gianni S.r.l.

Strada Romana di Sotto, 27-28877 Ornavasso (VB) Italy

Tel. +39 0323838211

www.ripamonti.net

Fax +39 0323836147

info@ripamonti.net



TECHNICAL DATA

MODEL	RIPAMONTI EX CAVA 2
EX CAVA 2	Hydraulic Excavator mounted drilling kit equipped with the following: <ol style="list-style-type: none"> N° 2 Hydraulic drifters MR 40 4 mt rail for line cutting (5 mt also available)
DIMENSION	
Lenght	4000mm
Width	1100mm (depend on models)
Height	4300 (depend on stroke)
Weight	1500 / 2500 kg. (depending on accessories mounted)
HYDRAULIC SYSTEM	
Max pressure	200 bar
Flow requirment	200- 250 lt/ min (depending on accessories mounted)
DRILL MAST	
	Speedy Drill 250 with double drifter with separte spring absorbing system
Model	
Stroke	3200mm
Hole diam	30-40 mm range
DRIFTER	
Model	MR40
Weight	40 kg.
Shank	EX 22x108 or EX 25 x 108 (depending on costumer)
CONTROL	
For all function	Radio remote control
KINEMATICS	
Mast tilting	+ - 15°
Rail inclination	+ - 20° (more if needed available)
Mast slide	400 mm up down
Rail rotation	DX90°+SX90° (180°)
Zoom	200mm.
ACCESSORIES included	
Shank lubrication system	Included Included hydraulic driven compressor 2.000 lt Min at 7 bar
Compressor	bar
Dust collector	Included with hood



- MR40 Drifter



- Remote Control

Ripamonti Dr. Gianni S.r.l.

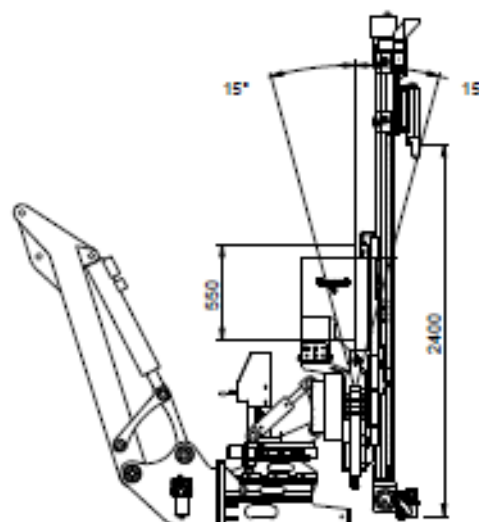
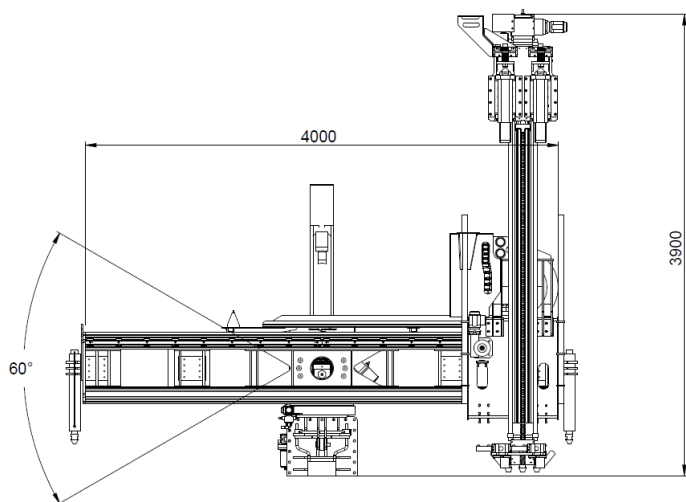
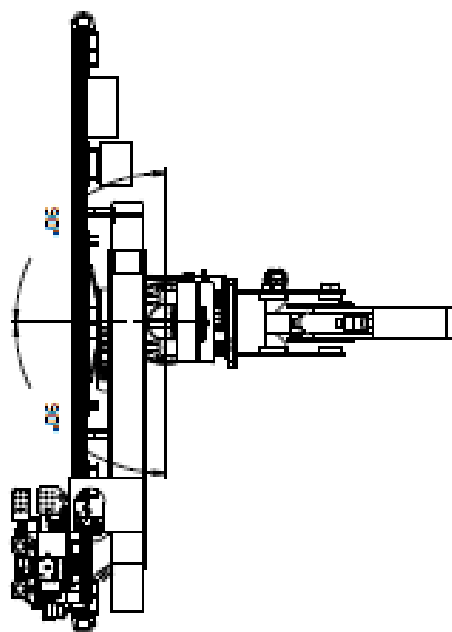
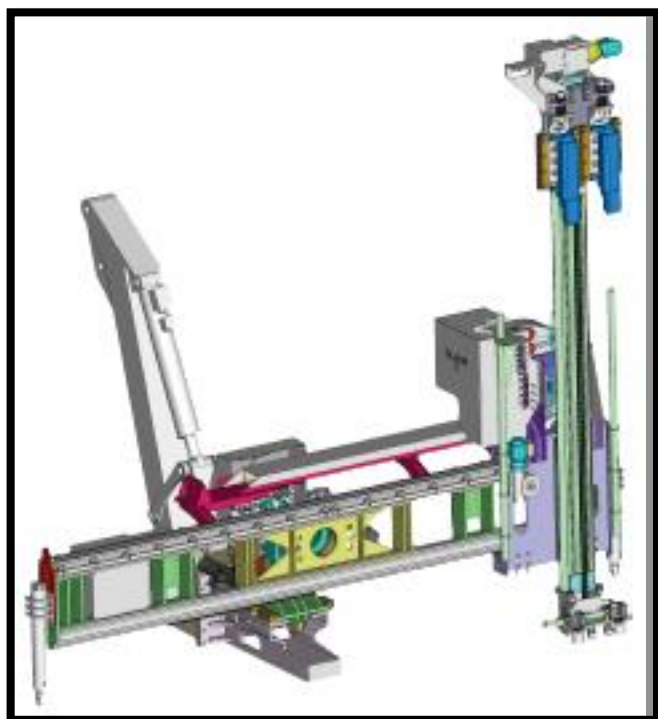
Strada Romana di Sotto, 27-28877 Ornavasso (VB) Italy

Tel. +39 0323838211

www.ripamonti.net

Fax +39 0323836147

info@ripamonti.net



Ripamonti Dr. Gianni S.r.l.

Strada Romana di Sotto, 27-28877 Ornavasso (VB) Italy

Tel. +39 0323838211

Fax +39 0323836147

www.ripamonti.net

info@ripamonti.net